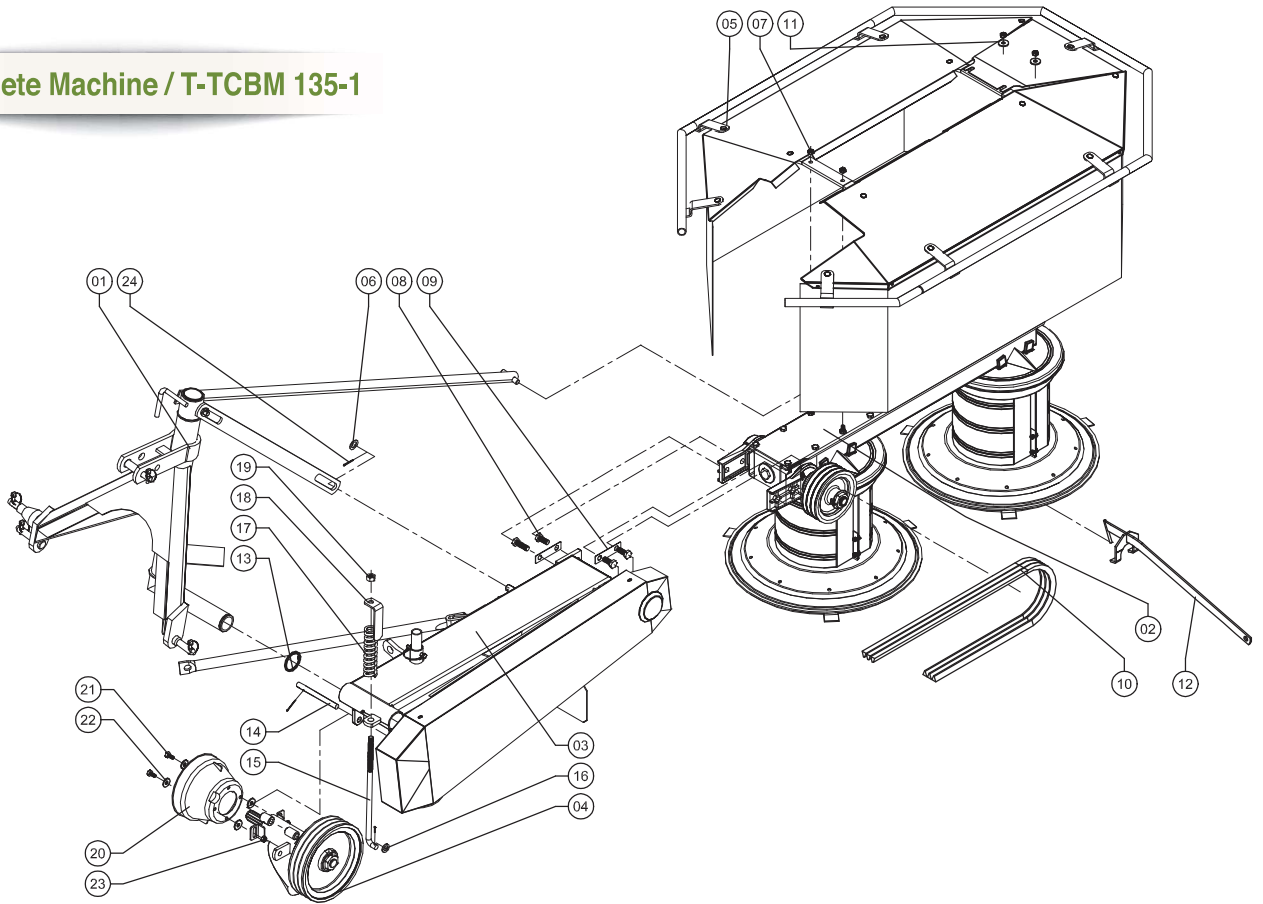




7 Complete Machine / T-TCBM 135-1





SPARE PARTS LIST

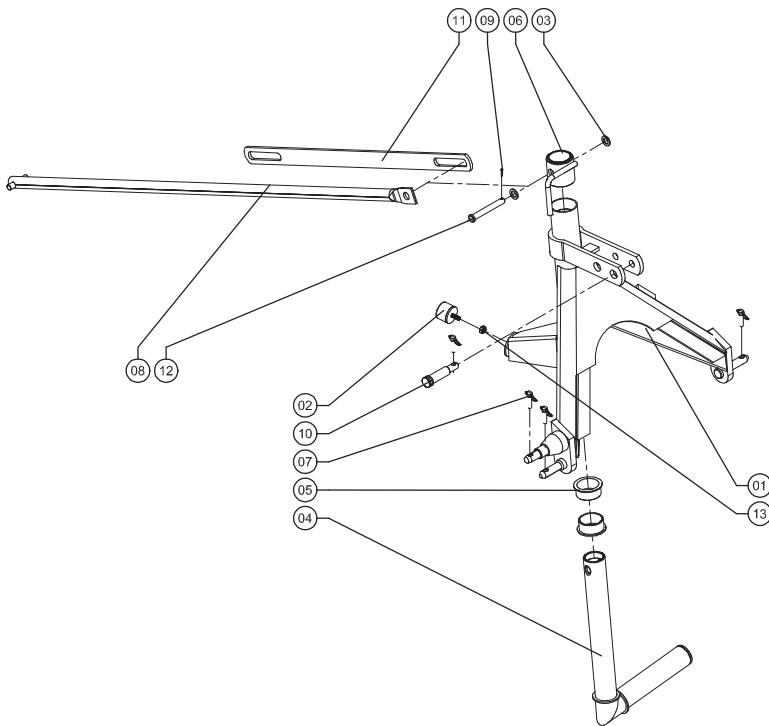
7 Complete Machine / T-TCBM 135-1

Pos. Number	Amount	Order Number	Explanation	Norm
01	1	T-TCBM 135-1.1	Three point hitch gr.	
02	1	T-TCBM 135-1.2	Gear-box group	
03	1	T-TCBM 135-1.3	Main holder group	
04	1	T-TCBM 135-1.4	Belt and pulley group	
05	1	T-TCBM 135 1-1.5	Curtain group	
06	1	RON-DUZ-M20	Flat washer	
07	4	SOMFIB-AKS-M10x1,5	Hexagonal fiber nut	DIN 985
08	3	CIV-M16x2x35-8.8	Hexagonal bolt	DIN 933
09	2	T-TCBM 135 1-1.2.66	Support plate	
10	3	KAYIS-V 17x2550	V-belt	DIN 7753
11	4	T-TCBM 135 1-1.28	Washer	
12	1	T-TCBM 135 1-1.27	Knife key	

Pos. Number	Amount	Order Number	Explanation	Norm
13	1	SEG-DIN 471Ø60x2-CK75	Spindle circlip	DIN471
14	1	T-TCBM 135 1-1.14	Connection spindle	
15	1	T-TCBM 135 1-1.15	Drop bolt	
16	1	RON-DUZ-M16	Flat washer	DIN 125-A
17	1	T-TCBM 135 1-1.17	Stretcher spring	
18	1	T-TCBM 135 1-1.18	Stretcher plate	
19	1	SOMFIB-AKS-M16x2	Hexagonal fiber nut	DIN 985
20	1	TDRAM30IS-1.32	Shaft guard	
21	2	CIV-M10x1,5x20-8.8	Hexagonal bolt	DIN 933
22	2	RON-DUZ-M10	Flat washer	DIN 125-A
23	2	SOMFIB-AKS-M10x1,5	Hexagonal fiber nut	DIN 985
24	3	GUP-4x40 DIN 94	Cotter pin	



7.1 Three Point Hitch System / T-TCBM 135-1.1



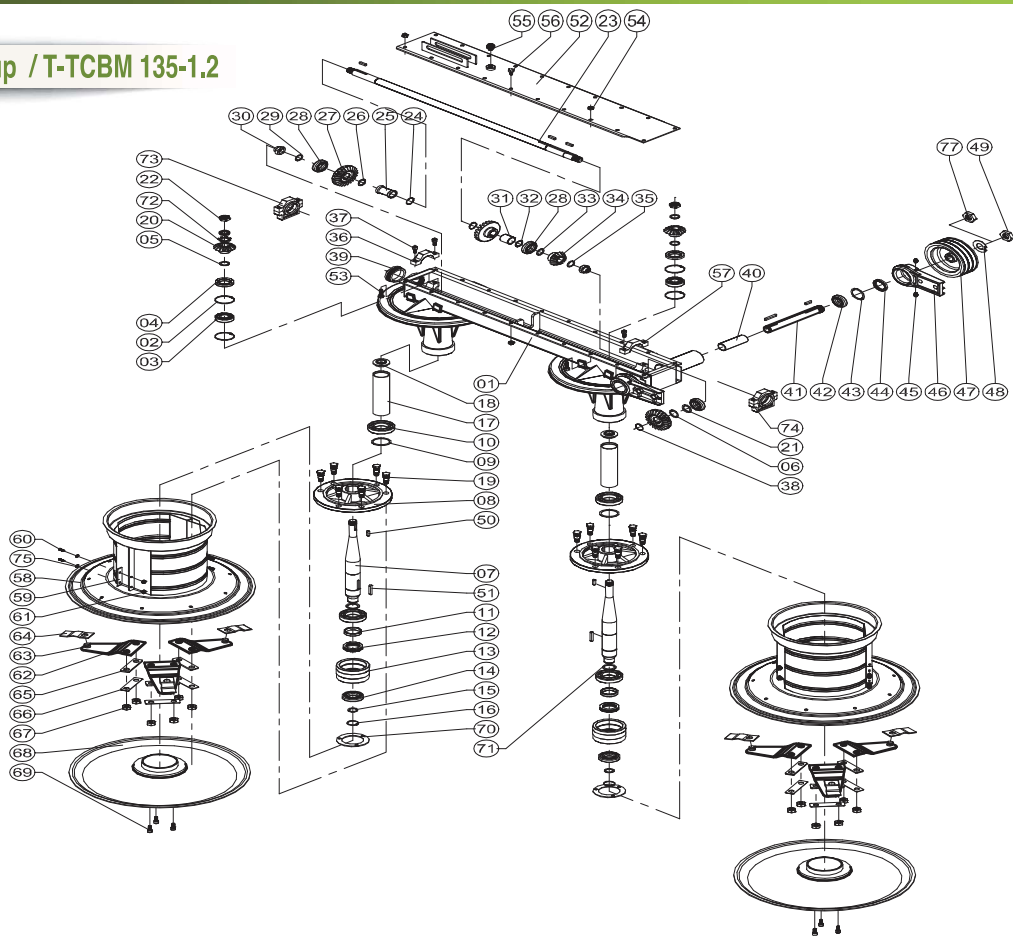
SPARE PARTS LIST

7.1 Three Point Hitch System / T-TCBM 135-1.1

Pos. Number	Amount	Order Number	Explanation	Norm
01	1	T-TCBM 135-1.1.1	Three point hitch	
02	1	T-TCBM 135-1.1.29	Hitch filler block	
03	2	RON-DUZ-M22	Flat washer	DIN 125-A
04	1	T-TCBM 135-1.1.4	Hitch crooked level	
05	2	T-TCBM 135-1.1.5	Plastic bush	
06	1	T-TCBM 135-1.1.6	Cast hat	
07	4	PIM-MAŞ-ARM Ø10	Perch pin	
08	1	T-TCBM 135-1.1.8	Gear-box upper pipe complete	
09	1	GUP-4x40 DIN 94	Cotter pin	
10	1	T-TCBM 135-1.1.25	Hitch pin	
11	1	T-TCBM 135-1.1.11	Stretcher lama 2	
12	1	T-TCBM 135-1.1.16	Connection pin	
13	1	SOMFIB-AKS-M10x1,5	Hexagonal fiber nut	DIN 985



7.2 Gear-box Group / T-TCBM 135-1.2





SPARE PARTS LIST-135

SPARE PARTS LIST 7.2 Gear-box Group / T-TCBM 135-1.2

Pos. Number	Amount	Order Number	Explanation	Norm	Pos. Number	Amount	Order Number	Explanation	Norm
01	1	T-TCBM 135-1.2.1	Gear-box		20	2	T-TCBM 135-1.2.20	Conical gear Z:15	
02	4	SEG-DIN472Ø62x2-CK75	Circlip	DIN 472	21	1	T-TCBM 135-1.2.21	Distance washer	
03	2	RUL-6305 C3	Bearing	DIN 625	22	2	T-TCBM 135-1.2.22	Conical spindle adjustment nut	
04	2	KEÇE-YAG-40x62x10 AS	Felt	DIN 3760	23	1	T-TCBM 135-1.2.23	Long spindle	
05	4	T-TCBM 135-1.2.5	Distance washer Ø33x25.5x2		24	2	SEG-DIN471Ø30x1,5-CK75	Circlip	DIN 471
06	1	T-TCBM 135-1.2.6	Distance washer Ø40x30.5x1		25	1	T-TCBM 135-1.2.25	Distance pipe	
07	2	T-TCBM 135-1.2.7	Conical spindle		26	1	SIM-45x30x1,5	Adjustment shimps	DIN 988
08	2	T-TCBM 135-1.2.8	Flange		27	3	T-TCBM 135-1.2.27	Conical gear Z:23	
09	2	SIM-60x50x2.5	Adjustment shimps	DIN 988	28	3	RUL-6206 C3	Bearing	DIN 625
10	4	RUL-6210 2RS-G100 C3	Bearing	DIN 625	29	1	T-TCBM 135-1.2.29	Distance washer	
11	2	T-TCBM 135-1.2.11	Bearing distance ring		30	2	T-TCBM 135-1.2.30	Adjustment nut	
12	2	RUL-51109 KJ	Bearing	DIN 711	31	1	T-TCBM 135-1.2.31	Distance pipe	
13	2	T-TCBM 135-1.2.13	Inside housing		32	1	SIM-42x30x0.5	Adjustment shimps	DIN 988
14	2	RUL-6207 2RS G100-C3	Bearing	DIN 625	33	1	SIM-42x30x0.5	Adjustment shimps	DIN 988
15	2	T-TCBM 135-1.2.15	Distance washer		34	1	T-TCBM 135-1.2.34	Conical gear Z:15	
16	2	SEG-DIN471Ø35x2,5-CK75	Spindle Circlip	DIN 471	35	1	T-TCBM 135-1.2.35	Distance washer	
17	2	T-TCBM 135-1.2.17	Distance pipe		36	1	T-TCBM 135-1.2.36	Support part	
18	2	T-TCBM 135-1.2.18	Stretcher ring		37	4	CIV-IMB-M10x1,5x35-8.8	Bolt	DIN 912
19	12	T-TCBM 135-1.2.19	Bijon		38	1	SEG-DIN471Ø30x1,5-CK75	Circlip	DIN 471



SPARE PARTS LIST-135

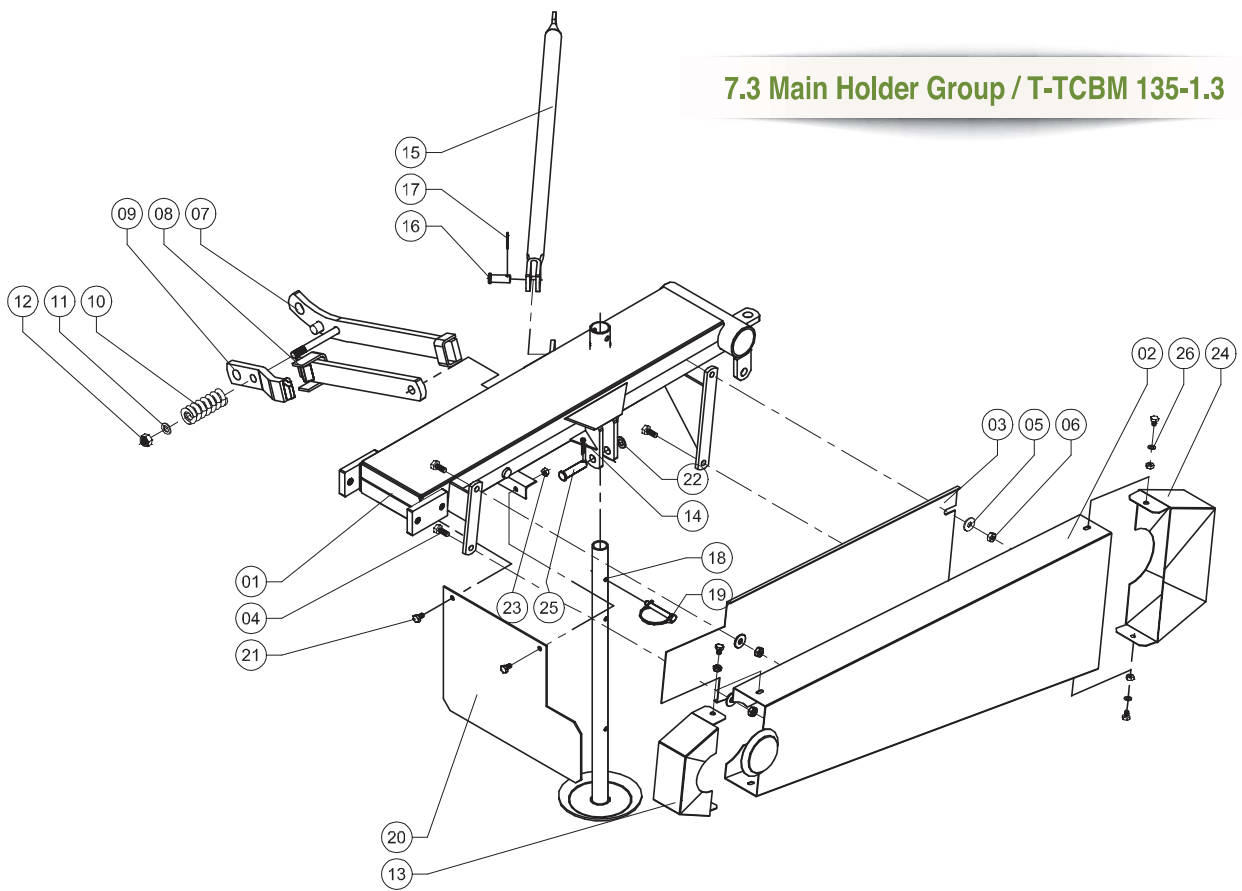
SPARE PARTS LIST 7.2 Gear-box Group / T-TCBM 135-1.2

Pos. Number	Amount	Order Number	Explanation	Norm
39	1	T-TCBM 135-1.2.39	Plastic cover	
40	1	T-TCBM 135-1.2.40	Distance pipe	
41	1	T-TCBM 135-1.2.41	Short spindle	
42	1	RUL-6206 C3	Bearing	DIN 625
43	1	SIM-45x30x1,5	Adjustment shimps	DIN 988
44	1	KEÇE-YAG-45x62x7 A	Felt	DIN 3760
45	4	GRE-DÜZ-M6	Nippel M6	DIN 71412
46	2	T-TCBM 135-1.2.46	Joint	
47	1	T-TCBM 135-1.2.47	Gear-box pulley	
48	1	T-TCBM 135-1.4.10	Safety nut plate	
49	1	T-TCBM 135-1.2.49	Nut M30x1.5	
50	6	KAMA A8x7x32	Cotter	DIN 6885
51	2	KAMA A8x7x55	Cotter	DIN 6885
52	1	T-TCBM 135-1.2.52	Gear-box upper cover	
53	4	CIV-M10x1,5x40-8.8	Hexagonal bolt	DIN 933
54	20	SOMFIB-AKS-M10x1,5	Hexagonal nut	DIN 985
55	1	TAPA-YAG-HAV-çap3/8''	Vent plug	
56	16	CIV-M10x1,5x20-8.8	Hexagonal bolt	DIN 933
57	1	T-TCBM 135-1.2.57	Support part 2	

Pos. Number	Amount	Order Number	Explanation	Norm
58	2	T-TCBM 135-1.2.58	Upper disc	
59	4	T-TCBM 135-1.2.59	Crusher knife	
60	8	CIV-M6x1x16-8.8	Hexagonal bolt	DIN 933
61	8	SOM-AKS-M6x1-8,8	Hexagonal nut	DIN 934
62	6	TTCBM135-1.2.62	Knife holder	
63	6	T-TCBM 135-1.2.63	Knife pin	
64	6	T-TCBM 135-1.2.64	Knife	
65	6	T-TCBM 135-1.2.65	Support plate 1	
66	6	T-TCBM 135-1.2.66	Support plate 2	
67	12	SOM-AKS-M16x2-8,8	Hexagonal nut	DIN 934
68	2	T-TCBM 135-1.2.68	Bottom disc	
69	6	CIV-IMB-M10x1,5x35-8.8	Bolt	DIN 912
70	2	T-TCBM 135-1.2.70	Washer	
71	4	SIM-62x50x0.8	Adjustment shimps Ø62xØ50x0.8	DIN 988
72	2	T-TCBM 135-1.2.72	Safety washer	
73	1	T-TCBM 135-1.2.73	Cast hat complete 1	
74	1	T-TCBM 135-1.2.74	Cast hat complete 2	
75	8	RON-YAY-M8	Spring washer	DIN 127-B
76	1	SIVI GRES-BR000	Grease	
77	1	T-TCBM 135-1.2.77	Nut	



7.3 Main Holder Group / T-TCBM 135-1.3





SPARE PARTS LIST

7.3 Main Holder Group / T-TCBM 135-1.3

Pos. Number	Amount	Order Number	Explanation	Norm
01	1	T-TCBM 135-1.3.1	Main Holder (welded)	
02	1	T-TCBM 135-1.3.2	V-belt cover	
03	1	T-TCBM 135-1.3.3	Protection cover plate	
04	4	CIV-M10x1,5x25-8.8	Hexagonal bolt	DIN 933
05	4	RON-DUZ-M10	Flat washer	DIN 125-A
06	4	SOM-AKS-M10x1,5-8,8	Hexagonal nut	DIN 985
07	1	T-TCBM 135-1.3.7	Safety lama (Welded)	
08	1	T-TCBM 135-1.3.8	Safety lama	
09	1	T-TCBM 135-1.3.9	Safety lama (short)	
10	1	T-TCBM 135-1.3.10	Safety spring	
11	1	RON-DUZ-M14	Flat washer	DIN 125-A
12	1	SOMFIB-AKS-M14x2	Hexagonal fiber nut	DIN 985
13	1	T-TCBM 135-1.3.13	Small pulley plate	

Pos. Number	Amount	Order Number	Explanation	Norm
14	1	GUP-3x45 DIN 94	Cotter pin	DIN 94
15	1	T-TCBM 135-1.3.15	Main holder side pipe	
16	1	T-TCBM 135-1.3.16	Conneciton pin	
17	1	GUP-3x45 DIN 94	Cotter pin	DIN 94
18	1	T-TCBM 135-1.3.18	Support leg	
19	1	TOT-1.23	Spring pin assembly	
20	1	T-TCBM 135-1.3.20	Plate	
21	2	CIV-M8x1,25x15-8.8	Hexagonal bolt	DIN 933
22	1	RON-DUZ-M16	Flat washer	DIN 125-A
23	2	SOMFIB-AKS-M8x1,5	Hexagonal fiber nut	DIN 985
24	1	T-TCBM 135-1.3.24	Big pulley plate	
25	1	T-TCBM 135.1.1.24	Connection pin	
26	4	RON-DUZ-M8	Flat washer	DIN 125-A

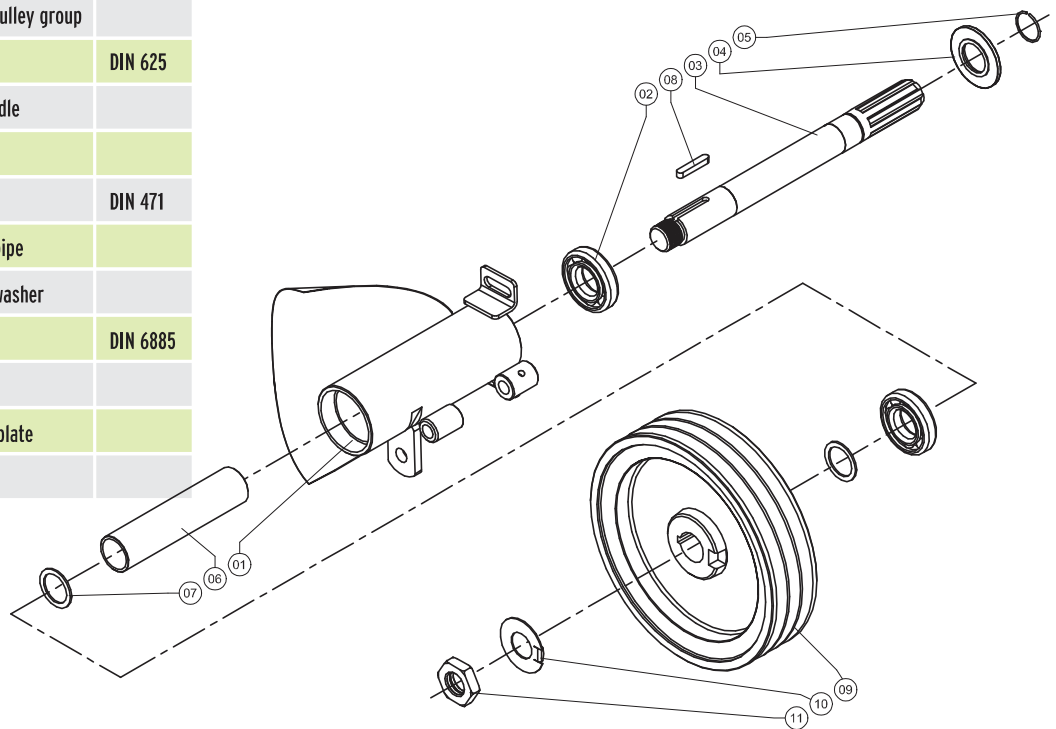


SPARE PARTS LIST

7.4 Belt and Pulley Group / T-TCBM 135-1.4

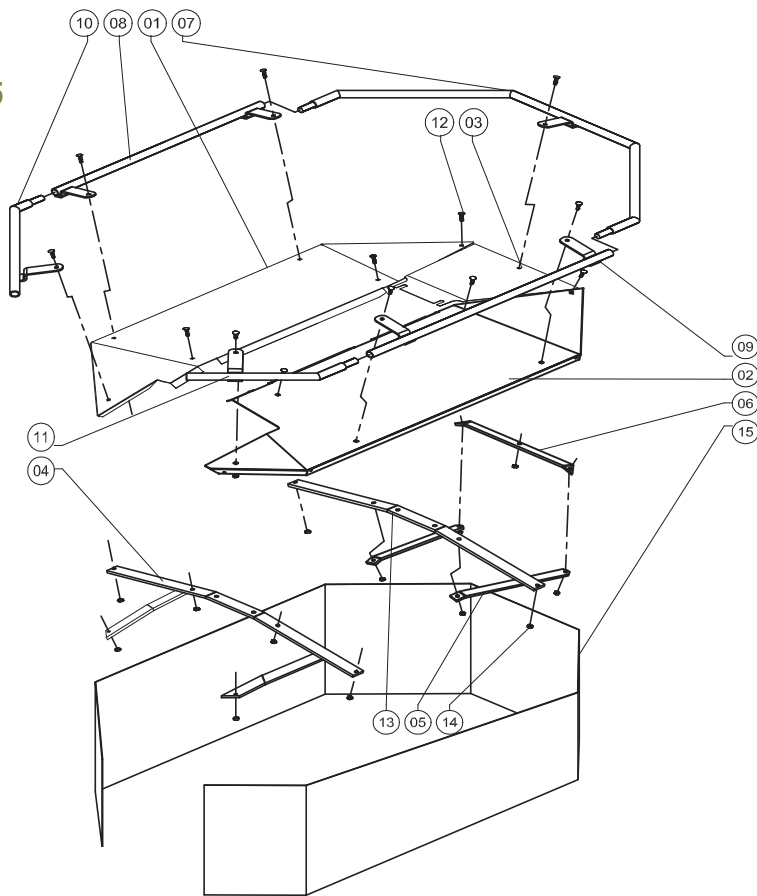
Pos. Number	Amount	Order Number	Explanation	Norm
01	1	T-TCBM 135-1.4.1	Belt and Pulley group	
02	2	RUL-6207 RS C3	Bearing	DIN 625
03	1	T-TCBM 135-1.4.3	P.T.O spindle	
04	1	T-TCBM 135-1.4.4	Cover	
05	1	SEG-DIN471035x2,5-CK75	Circlip	DIN 471
06	1	T-TCBM 135-1.4.6	Distance pipe	
07	2	T-TCBM 135-1.4.7	Distance washer	
08	1	KAMA A8x7x45	Cotter	DIN 6885
09	1	T-TCBM 135-1.4.09	Big Pulley	
10	1	T-TCBM 135-1.4.10	Safty nut plate	
11	1	T-TCBM 135-1.2.49	Nut	

7.4 Belt and Pulley Group / T-TCBM 135-1.4





7.4 Curtain Groub / T-TCBM 1650-1.5



**SPARE PARTS LIST**
7.5 Curtain Group / T-TCBM 135-1.5

Pos. Number	Amount	Order Number	Explanation	Norm
01	1	T-TCBM 135-1.5.1	Curtain plate left	
02	1	T-TCBM 135-1.5.2	Curtain plate right	
03	1	T-TCBM 135-1.5.3	Curtain plate front	
04	1	T-TCBM 135-1.5.4	Curtain connection lama	
05	1	T-TCBM 135-1.5.5	Connection lama 1	
06	1	T-TCBM 135-1.5.6	Conneciton lama 2	
07	1	T-TCBM 135-1.5.7	Conneciton pipe 1	
08	1	T-TCBM 135-1.5.8	Conneciton pipe 2	
09	1	T-TCBM 135-1.5.9	Conneciton pipe 3	
10	1	T-TCBM 135-1.5.10	Conneciton pipe 4	
11	1	T-TCBM 135-1.5.11	Conneciton pipe 5	
12	13	CIV-TAV-M8x1,25x30	Bolt	DIN 603
13	1	T-TCBM 135-1.5.4.01	Curtain plate left	
14	13	SOM-AKS-M8x1,25-8,8	Hexagonal nut	DIN 934
15	1	T-TCBM 135-1.5.15	Curtain 430x3950	